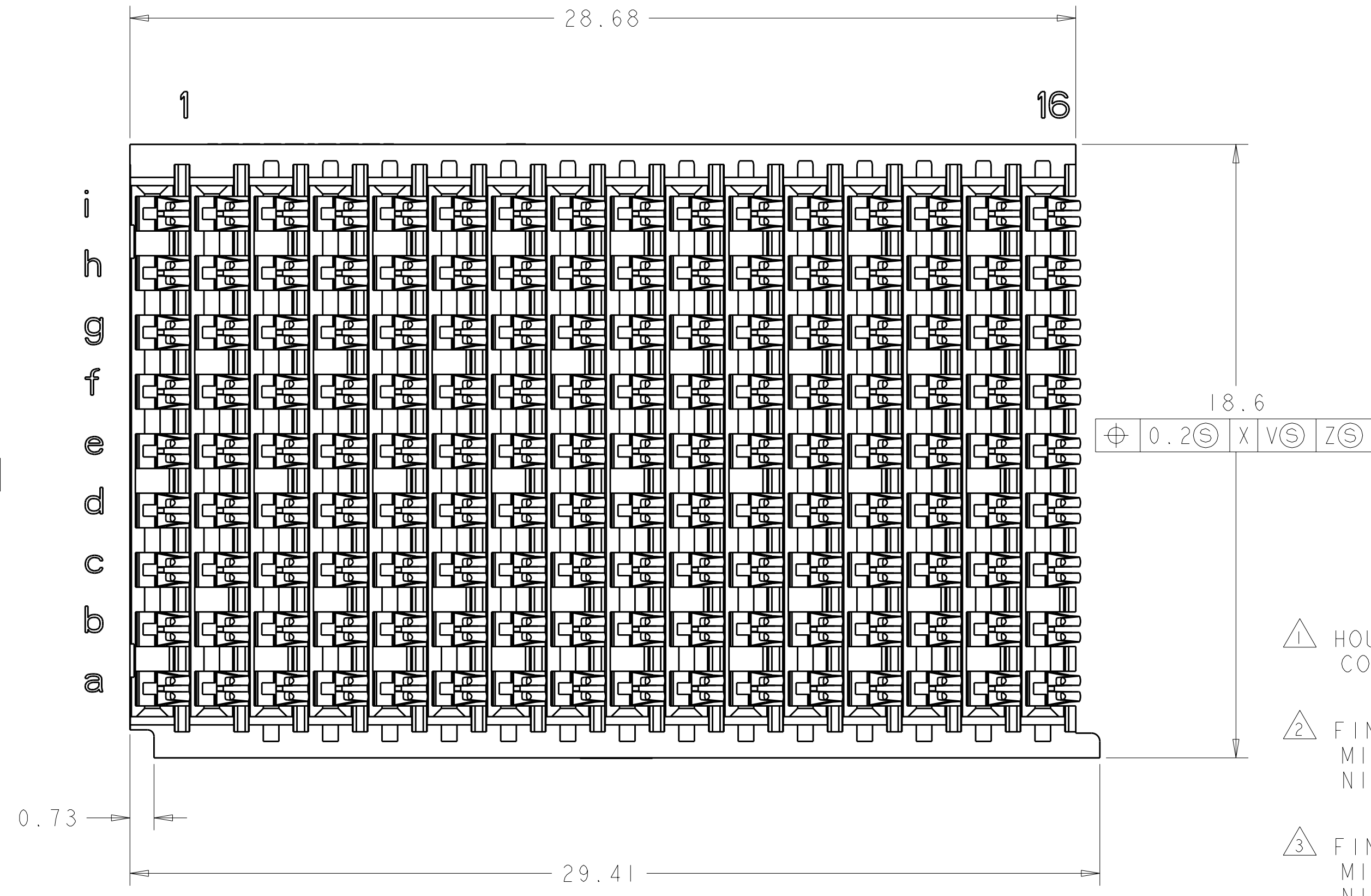
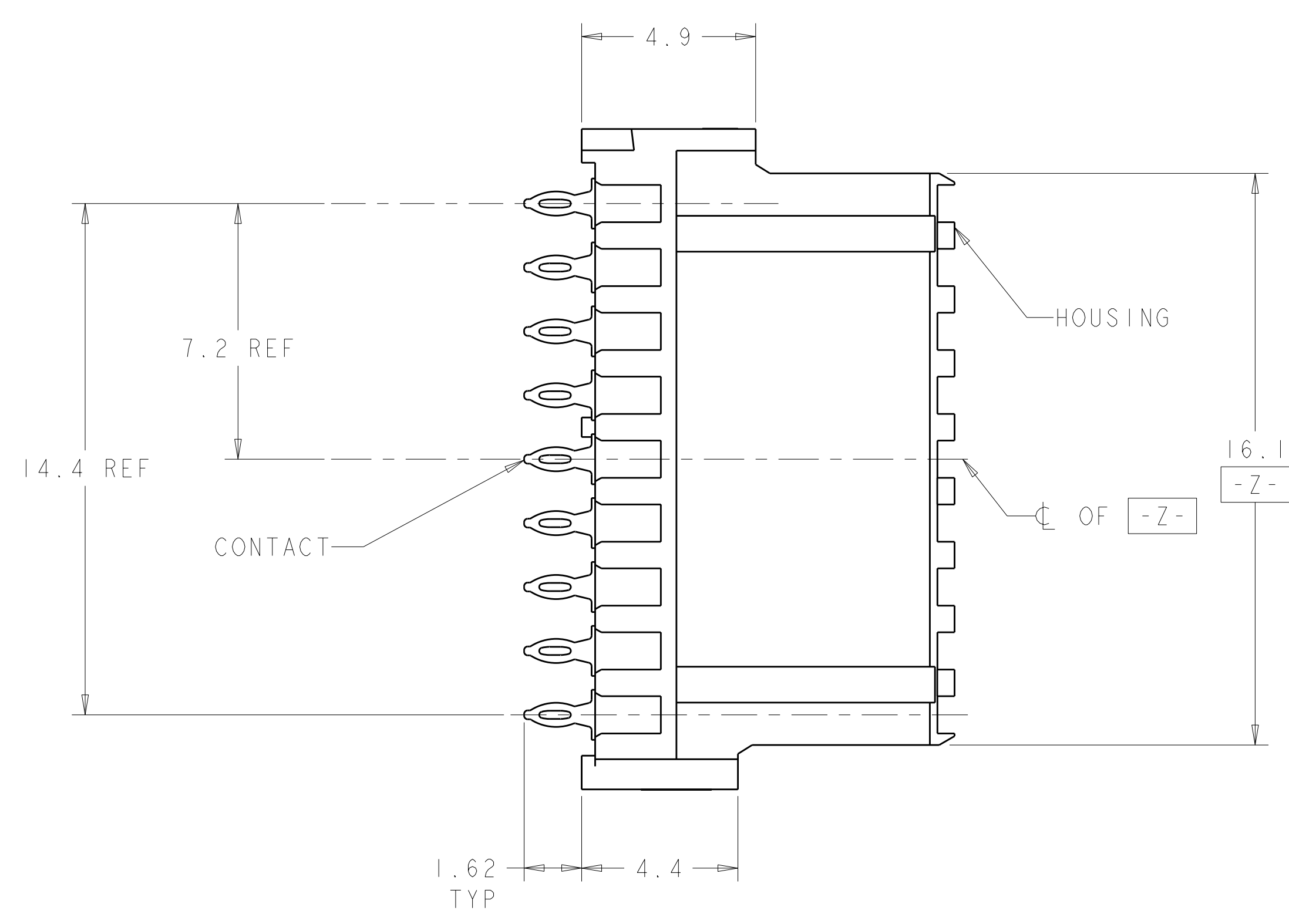
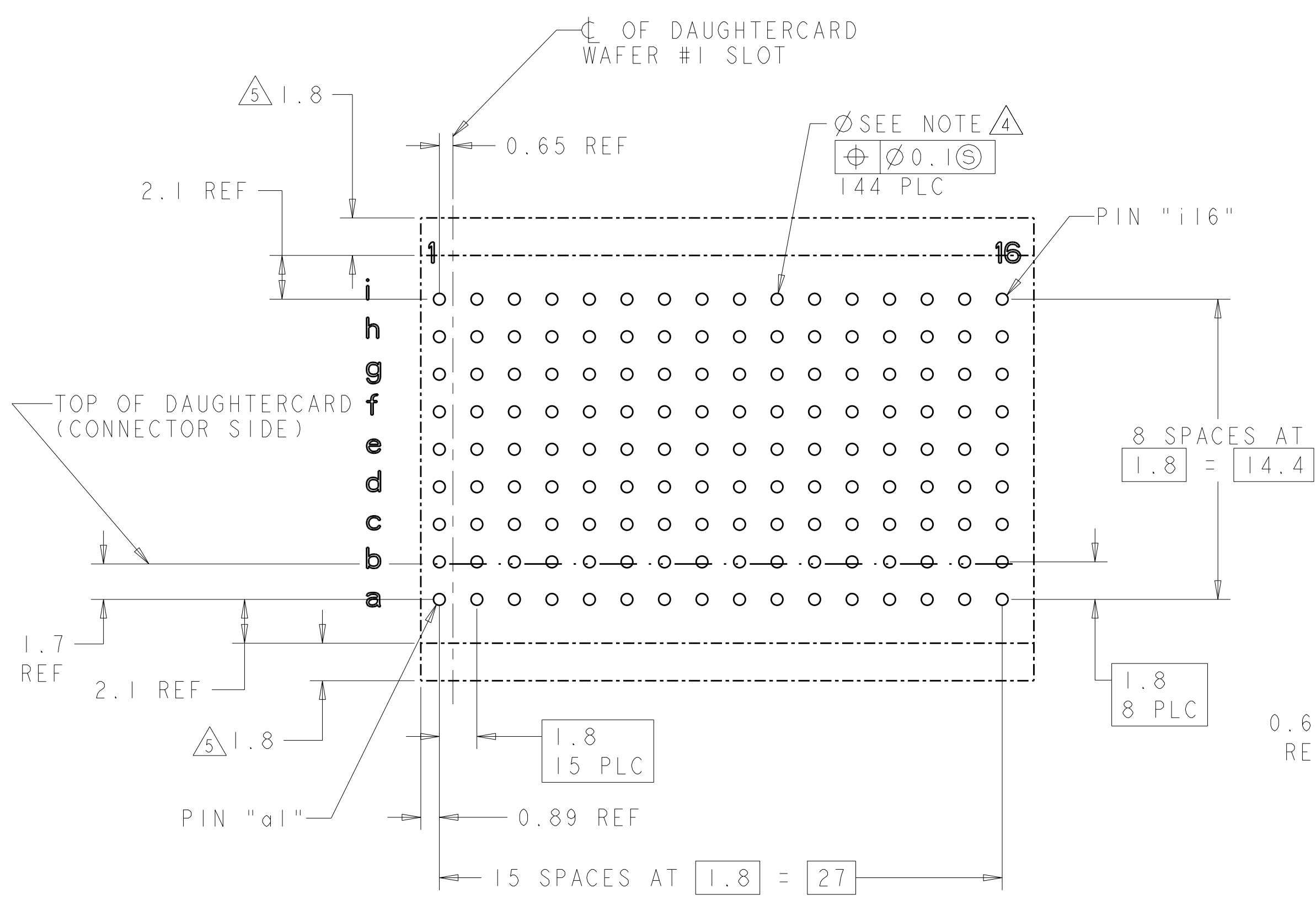


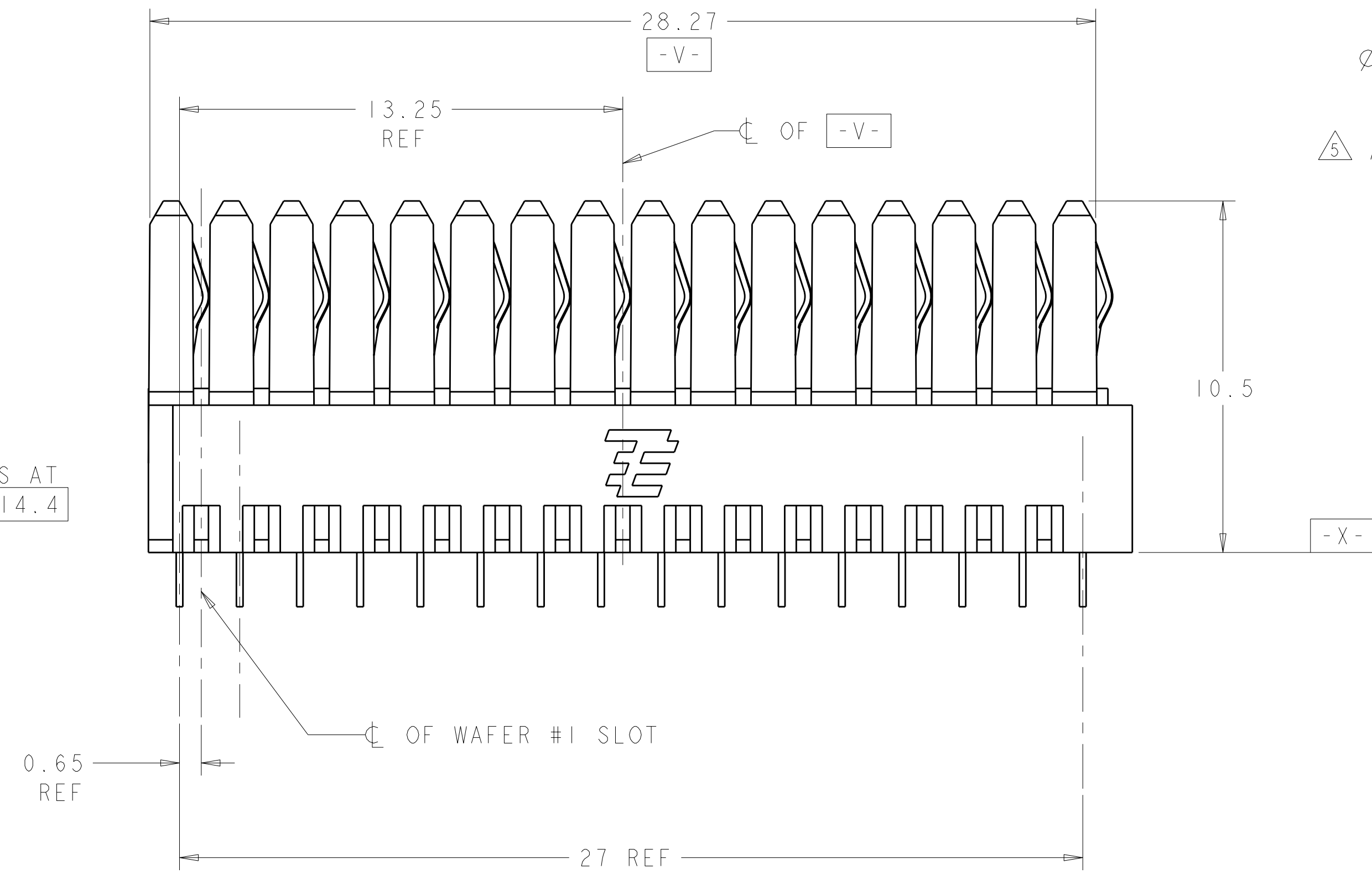
LOC	DIST	REVISIONS					
GP	00	P	LTR	DESCRIPTION	DATE	DWN	APVD
		A		REV PER ECO-06-006525	29MAR2006	BC	GG
		B		REV PER ECO-08-023222	16SEP2006	RT	GG



- △ HOUSING: LCP, UL94V0, COLOR: BLACK.  
CONTACT: PHOSPHOR BRONZE.
- △ FINISH: 1.27µm GOLD IN CONTACT AREA 1.27µm MIN. TIN-LEAD ON PCB TAIL OVER 3.81µm MIN. NICKEL OVER ALL.
- △ FINISH: 1.27µm GOLD IN CONTACT AREA 1.27µm MIN. TIN ON PCB TAIL OVER 3.81µm MIN. NICKEL OVER ALL.
- △ MANUFACTURING TOLERANCE FOR:  
 $\text{Ø } 0.56 \pm 0.05$  FINISHED HOLE WITH Sn PB PLATING:  
 DRILLED HOLE =  $\text{Ø } 0.65 \pm 0.02$   
 COPPER PLATING = 0.025-0.050  
 Sn PB PLATING = 0.0038-0.0124  
 OR  
 $\text{Ø } 0.575 \pm 0.05$  FINISHED HOLE WITHOUT Sn PB PLATING:  
 DRILLED HOLE =  $\text{Ø } 0.65 \pm 0.02$   
 COPPER PLATING = 0.025-0.050
- △ ADDITIONAL CONNECTOR-SIDE KEEPCUT AREA REQUIRED IF CONNECTOR-SIDE EXTRACTION TOOL IS TO BE USED.



PC BOARD LAYOUT  
 (CONNECTOR SIDE)  
 (SEE SHEET 2 FOR RTM)  
 SCALE 5:1

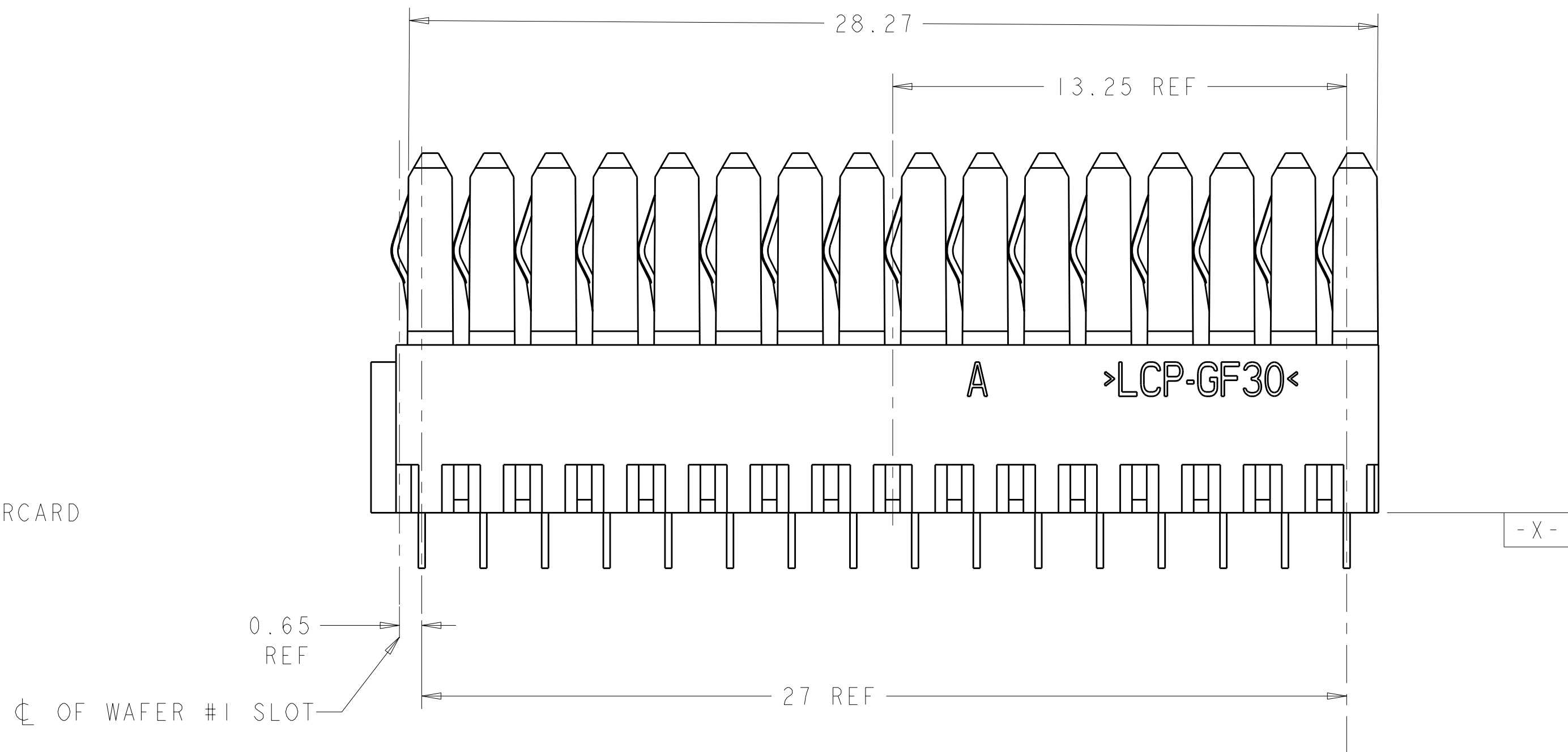
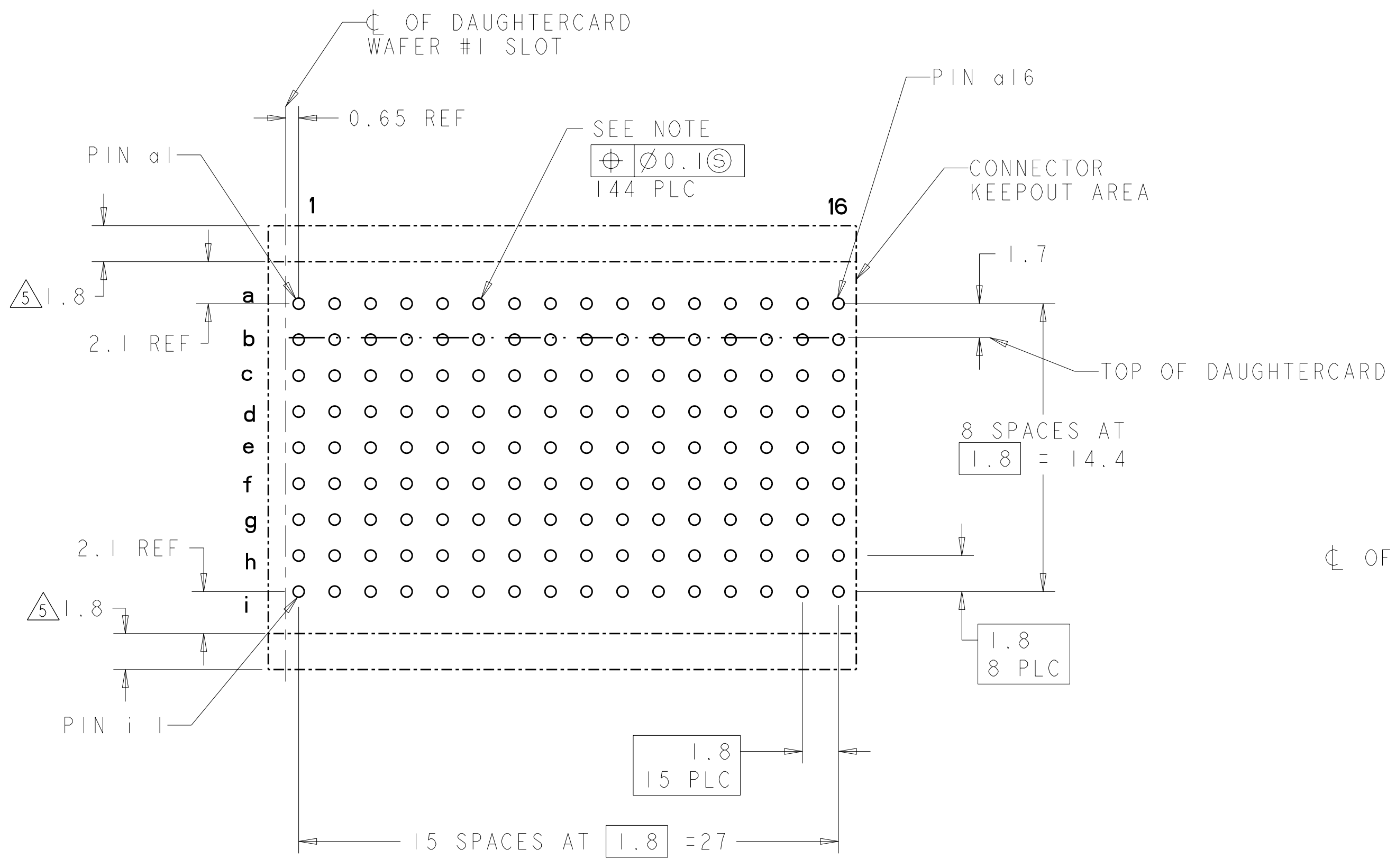
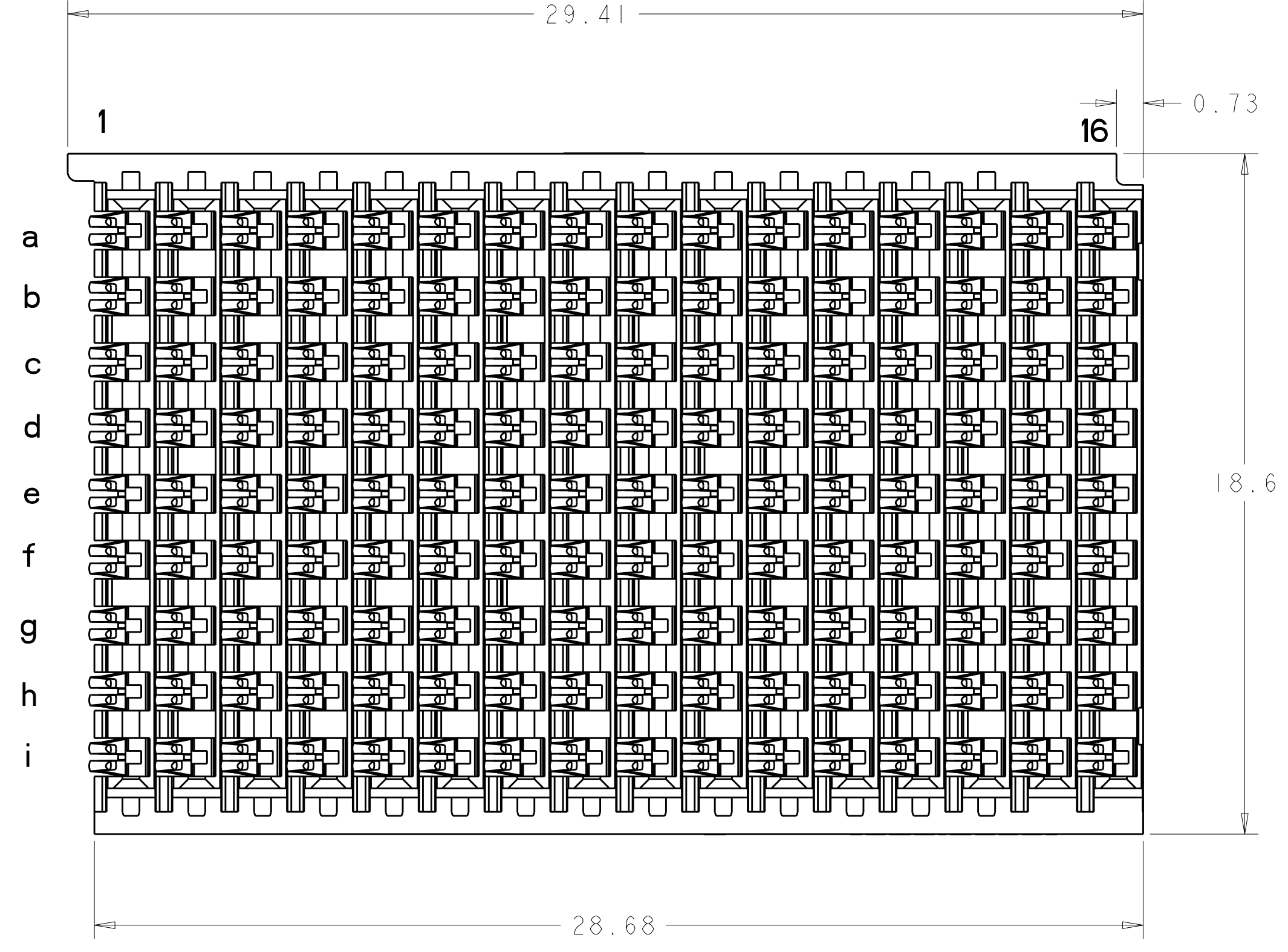
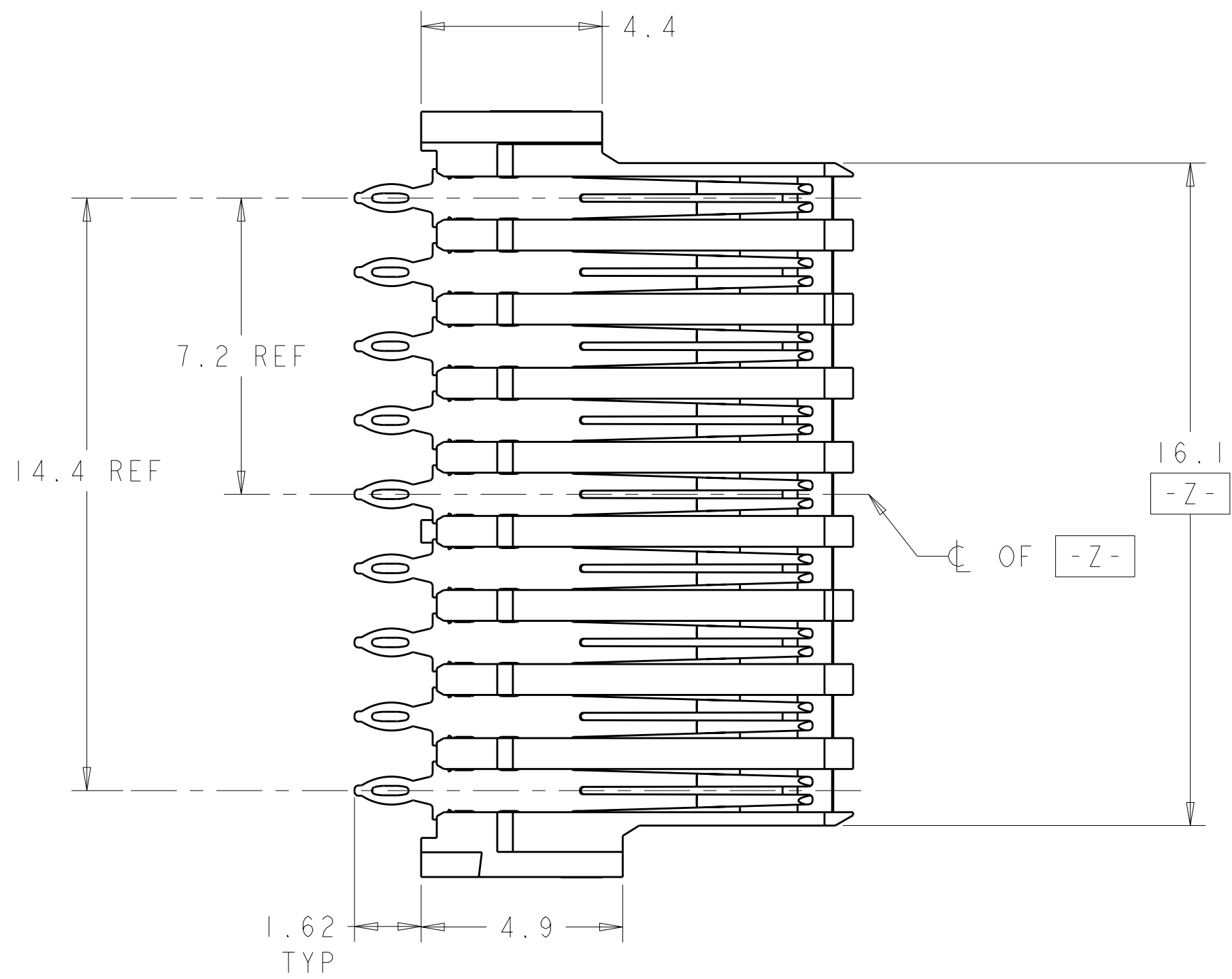


△ 3	1410140-2
△ 2	1410140-1
PLATING	PART NO

DIMENSIONS: mm 		TOLERANCES UNLESS OTHERWISE SPECIFIED: 9 PLC ± 1 PLC ±0.5 3 PLC ±0.13 5 PLC ± 4 PLC ± ANGLES ±1°		DWN: TREA 08NOV2002 CHK: J.CONSO1 18NOV2002 APVD: 18NOV2002		Tyco Electronics Harrisburg, PA 17105-3608	
MATERIAL: △		FINISH: △		PRODUCT SPEC: 108-2072 APPLICATION SPEC: 114-13056 WEIGHT: - CUSTOMER DRAWING		NAME: CONNECTOR ASSEMBLY, BACKPLANE VERTICAL RECEPTACLE, CENTER, 20.3mm, MultiGig RT 2 SIZE: CAGE CODE DRAWING NO: 00779 C=1410140 RESTRICTED TO: B	
SCALE 4:1				SHEET 1 OF 2		REV B	

LOC	DIST	REVISIONS				
GP	00	P	LTR	DATE	DWN	APVD
		-	-	SEE SHEET 1	-	-

# REAR TRANSITION MODULE APPLICATION



RTM PC BOARD LAYOUT  
 (CONNECTOR SIDE)  
 SCALE 5:1

<small>THIS DRAWING IS UNPUBLISHED. RELEASED FOR PUBLICATION BY TYCO ELECTRONICS CORPORATION. ALL RIGHTS RESERVED. THIS IS SUBJECT TO CHANGE WITHOUT NOTICE AND WITHOUT OBLIGATION. TYCO ELECTRONICS CORPORATION SHALL BE CONTACTED FOR THE LATEST REVISION.</small>		DWN: TREA 08NOV2002 CHK: J.CONSO1 18NOV2002 APVD: 18NOV2002	<b>tyco</b> Electronics Tyco Electronics Harrisburg, PA 17105-3608
DIMENSIONS: mm 	TOLERANCES UNLESS OTHERWISE SPECIFIED: 9 PLC ± 1 PLC ±0.5 2 PLC ±0.13 3 PLC ± 4 PLC ± ANGLES ±1°	PRODUCT SPEC: 108-2072 APPLICATION SPEC: 114-13056 WEIGHT: - CUSTOMER DRAWING	NAME: CONNECTOR ASSEMBLY, BACKPLANE VERTICAL RECEPTACLE, CENTER, 20.3mm, MultiGig RT 2 SIZE: A1 CAGE CODE: 00779 DRAWING NO: C=1410140 RESTRICTED TO: - SCALE: 4:1 SHEET 2 OF 2 REV B